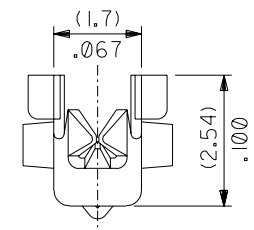
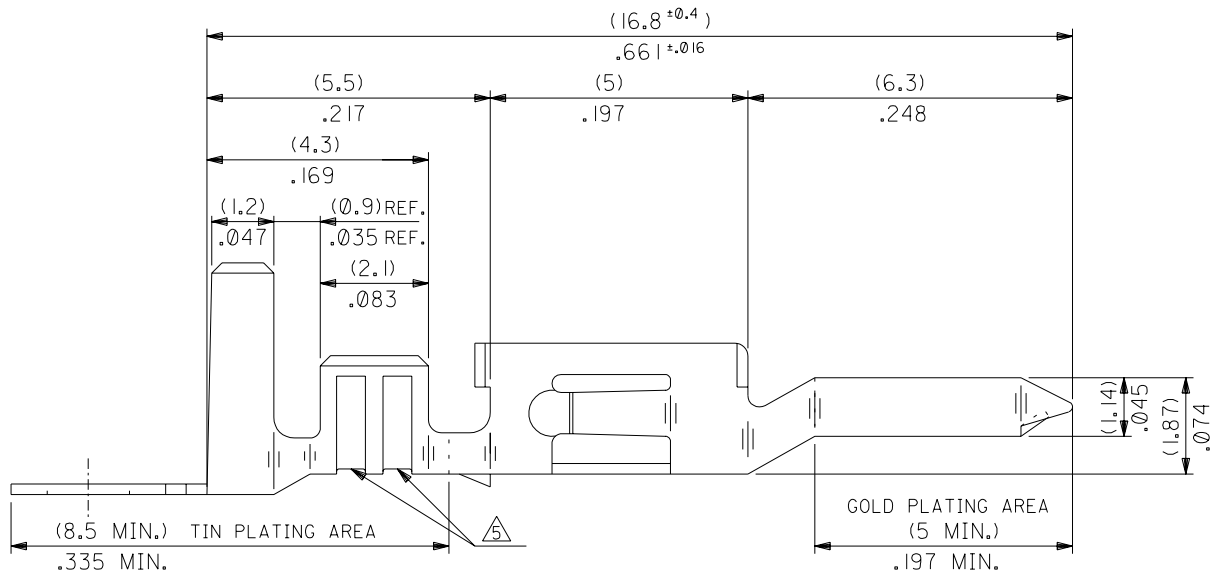
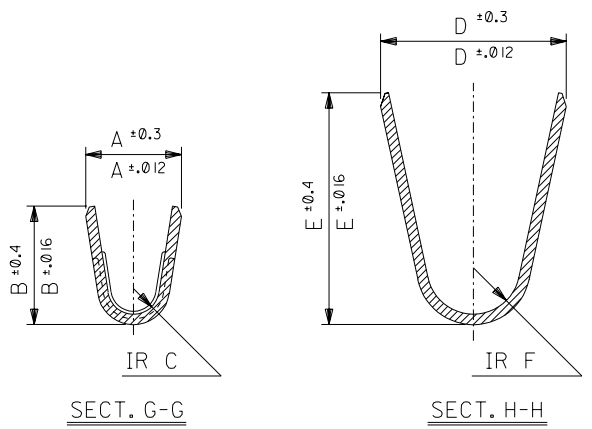


- NOTES
1. APPLICABLE HOUSING : 5559 SERIES
 2. MATES WITH TERMINAL : 5556 SERIES
 3. (METRIC) VALUES SHOWN GOVERN OVER ENGLISH CONVERSION VALUES.
 4. GENERAL TOLERANCES OF ENGLISH CONVERSION VALUES : ±.008 INCH
- △ THE NUMBER OF SERRATIONS TO BE ONE FOR WIRE RANGE #22-28.



		材料 MATERIAL		SEE SHEET 2 OF 2	molex MOLEX-JAPAN CO.,LTD. 日本モレックス株式会社	
		仕上げ FINISH		SEE SHEET 2 OF 2	EDP. NO. SEE SHEET 2 OF 2	
		適用電線範囲 WIRE RANGE		SEE SHEET 2 OF 2	ENG. NO. SHEET 1 OF 2 SD-5558**GS**	
		被覆外径 INS. RANGE		SEE SHEET 2 OF 2	REV D	
角度 ANGLE	±3°	D	REVISD (J2004-3266)	Y.S. K.T.	04/4/8	
30 以上 OVER	+0.3	C	REVISD (J10381)	H.H.	9/16/25	
10 以上 OVER 30 未満 UNDER	+0.25	B	REVISD & REDRAWN (J10202)	H.H.	9/14/27	
10 未満 UNDER	+0.2	記号 LTR	変更内容 REVISION RECORD	DR. CHK.	日付 DATE	
一般公差 GENERAL TOLERANCES		REVISE ONLY ON CAD SYSTEM				
		DRAWN BY '91/3/13 H.HIRAMOTO		CHK'D BY '92/05/21 M.FUKUSHIMA		TITLE 名称 NEW MINI. FIT CONN. CRIMP PIN -LEAD FREE-
		APP'D BY '92/05/21 M.ENOMOTO		尺度 SCALE 10 - 1		

ENG. NO. SHEET 2 OF 2 SD-5558**GS**

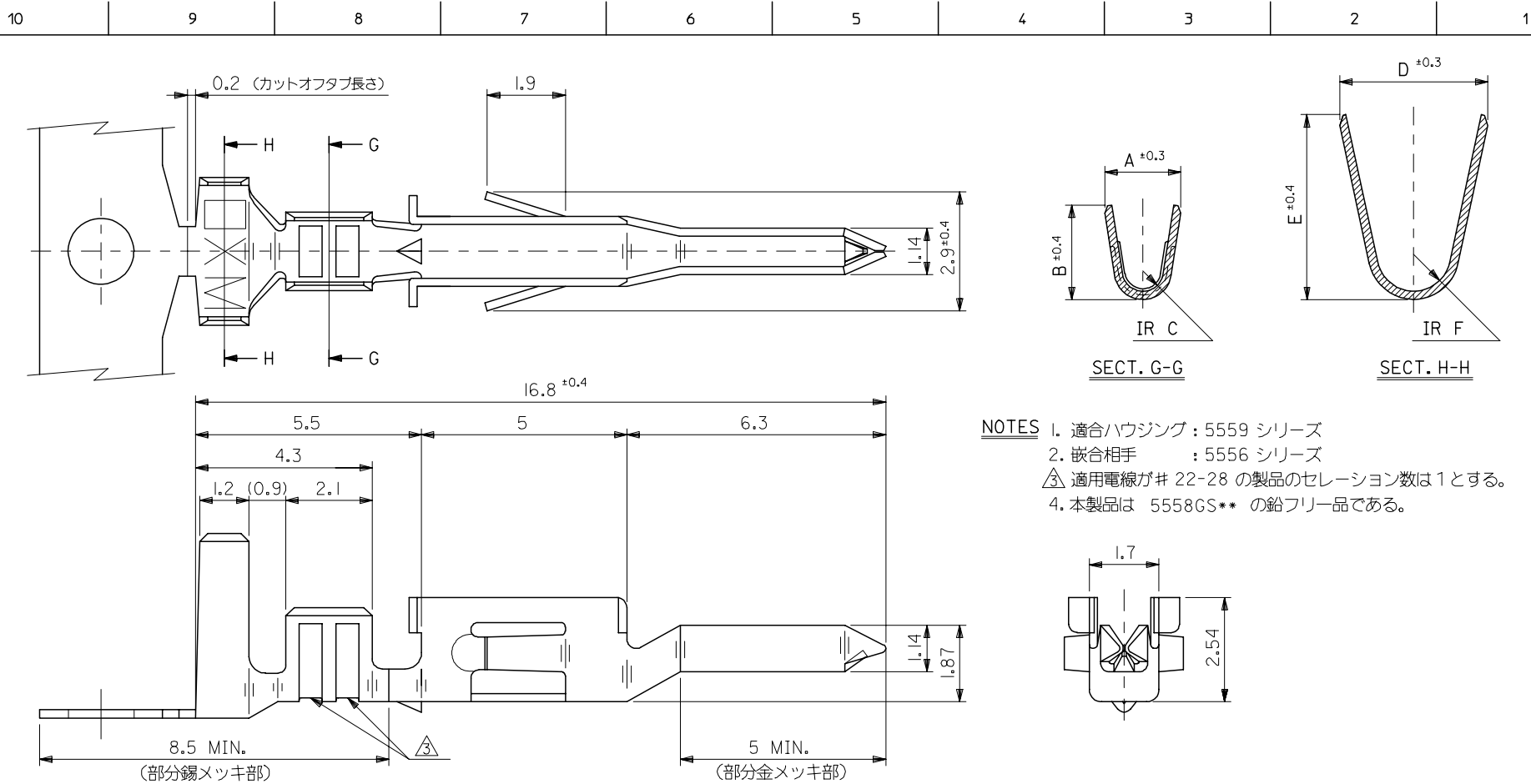
EDP NO. SEE CHART

ALL DIMENSIONS IN METRIC DO NOT SCALE DRAWING

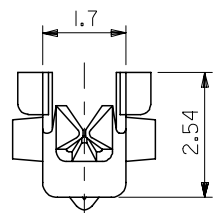
MATERIAL	FINISH	F	E	D	C	B	A	INS. RANGE	WIRE RANGE	EDP NO.	MATERIAL NO.	FORM
PHOSPHOR BRONZE	SELECTIVE GOLD (0.76μm)/30m.i. MIN. AND SELECTIVE TIN (2.03μm)/80m.i. MIN. OVER NICKEL (1.27μm)/50m.i. MIN.	(0.9) .035	(4.5) .177	(3.6) .142	(0.6) .024	(2.7) .106	(2.3) .091	∅ (3.1) .122 MAX.	# 16	39-00-0224	5558 PBGS3L	LOOSE
		(0.6) .024	(2.3) .091	(2.3) .091	(0.4) .016	(1.65) .065	(1.8) .071	∅ (0.9-1.8) .035-.071	#22-28	↑ -0223	↑ PBGS3	CHAIN
		(0.9) .035	(4.5) .177	(3.6) .142	(0.5) .020	(2.3) .091	(1.9) .075	∅ (1.3-3.1) .051-.122	# 18-24	↑ -0222	↑ PBGS2L	LOOSE
		(0.9) .035	(4.5) .177	(3.6) .142	(0.5) .020	(2.3) .091	(1.9) .075	∅ (1.3-3.1) .051-.122	# 18-24	↑ -0221	PBGS2	CHAIN
BRASS	SELECTIVE GOLD (1.27μm)/50m.i. MIN. AND SELECTIVE TIN (2.54μm)/100m.i. MIN. OVER NICKEL (1.27μm)/50m.i. MIN.	(0.9) .035	(4.5) .177	(3.6) .142	(0.6) .024	(2.7) .106	(2.3) .091	∅ (3.1) .122 MAX.	# 16	↑ -0148	GS9L	LOOSE
		(0.6) .024	(2.3) .091	(2.3) .091	(0.4) .016	(1.65) .065	(1.8) .071	∅ (0.9-1.8) .035-.071	#22-28	↓ -0147	GS9	CHAIN
		(0.9) .035	(4.5) .177	(3.6) .142	(0.5) .020	(2.3) .091	(1.9) .075	∅ (1.3-3.1) .051-.122	# 18-24	↓ -0146	GS8L	LOOSE
		(0.9) .035	(4.5) .177	(3.6) .142	(0.5) .020	(2.3) .091	(1.9) .075	∅ (1.3-3.1) .051-.122	# 18-24	↓ -0145	39-00-0145	GS8
	SELECTIVE GOLD (0.38μm)/15m.i. MIN. AND SELECTIVE TIN (2.03μm)/80m.i. MIN. OVER NICKEL (1.27μm)/50m.i. MIN.	(0.9) .035	(4.5) .177	(3.6) .142	(0.6) .024	(2.7) .106	(2.3) .091	∅ (3.1) .122 MAX.	# 16	↑ -0099	GS6L	LOOSE
		(0.6) .024	(2.3) .091	(2.3) .091	(0.4) .016	(1.65) .065	(1.8) .071	∅ (0.9-1.8) .035-.071	#22-28	↑ -0098	GS6	CHAIN
		(0.9) .035	(4.5) .177	(3.6) .142	(0.5) .020	(2.3) .091	(1.9) .075	∅ (1.3-3.1) .051-.122	# 18-24	↑ -0097	GS5L	LOOSE
		(0.9) .035	(4.5) .177	(3.6) .142	(0.5) .020	(2.3) .091	(1.9) .075	∅ (1.3-3.1) .051-.122	# 18-24	↑ -0076	GS5	CHAIN
	SELECTIVE GOLD (0.76μm)/30m.i. MIN. AND SELECTIVE TIN (2.03μm)/80m.i. MIN. OVER NICKEL (1.27μm)/50m.i. MIN.	(0.9) .035	(4.5) .177	(3.6) .142	(0.6) .024	(2.7) .106	(2.3) .091	∅ (3.1) .122 MAX.	# 16	↑ -0075	GS4L	LOOSE
		(0.6) .024	(2.3) .091	(2.3) .091	(0.4) .016	(1.65) .065	(1.8) .071	∅ (0.9-1.8) .035-.071	#22-28	↑ -0075	GS4	CHAIN
		(0.9) .035	(4.5) .177	(3.6) .142	(0.6) .024	(2.7) .106	(2.3) .091	∅ (3.1) .122 MAX.	# 16	↑ -0096	GS3L	LOOSE
		(0.6) .024	(2.3) .091	(2.3) .091	(0.4) .016	(1.65) .065	(1.8) .071	∅ (0.9-1.8) .035-.071	#22-28	↑ -0095	GS3	CHAIN
MATERIAL	FINISH	(0.9) .035	(4.5) .177	(3.6) .142	(0.6) .024	(2.7) .106	(2.3) .091	∅ (3.1) .122 MAX.	# 16	↑ -0433	GS2L7F	LOOSE
		(0.6) .024	(2.3) .091	(2.3) .091	(0.4) .016	(1.65) .065	(1.8) .071	∅ (0.9-1.8) .035-.071	#22-28	↑ -0432	GS27F	CHAIN
		(0.9) .035	(4.5) .177	(3.6) .142	(0.5) .020	(2.3) .091	(1.9) .075	∅ (1.3-3.1) .051-.122	# 18-24	↓ -0431	GS17F	LOOSE
		(0.9) .035	(4.5) .177	(3.6) .142	(0.5) .020	(2.3) .091	(1.9) .075	∅ (1.3-3.1) .051-.122	# 18-24	↓ -0430	39-00-0430	5558 GS7F

材料 MATERIAL		SEE CHART		MOLEX-JAPAN CO.,LTD. 日本モレックス株式会社	
THICKNESS : (0.203)/.008				EDP. NO.	
仕上げ FINISH		SEE CHART		SEE CHART	
適用電線範囲 WIRE RANGE		SEE CHART		ENG. NO. SHEET 2 OF 2 REV D	
被覆外径 INS. RANGE		SEE CHART		SD-5558**GS**	
DRAWN BY '91/3/13 H.HIRAMOTO		CHK'D BY '92/05/21 M.FUKUSHIMA		TITLE 名称	
APP'D BY '92/05/21 M.ENOMOTO		尺 度 SCALE 10 - 1		NEW MINI. FIT CONN. CRIMP PIN -LEAD FREE-	

角度 ANGLE	+3°	D	SEE SHEET 1 OF 2	Y.S K.T	04/4/8
30 以上 OVER	+0.3	C	SEE SHEET 1 OF 2	H.H	9/16/25
10 以上 OVER 30 未満 UNDER	+0.25	B	SEE SHEET 1 OF 2	H.H Y.Y	9/14/27
10 未満 UNDER	+0.2	A	REVISION RECORD	DR. CHK.	日付 DATE
一般公差 GENERAL TOLERANCES			REVISE ONLY ON CAD SYSTEM		




- NOTES**
1. 適合ハウジング : 5559 シリーズ
 2. 嵌合相手 : 5556 シリーズ
 - △ 適用電線が# 22-28 の製品のセレーション数は1とする。
 4. 本製品は 5558GS** の鉛フリー品である。

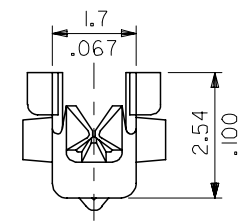
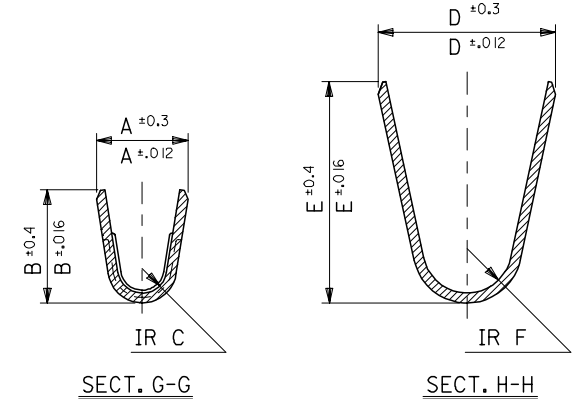
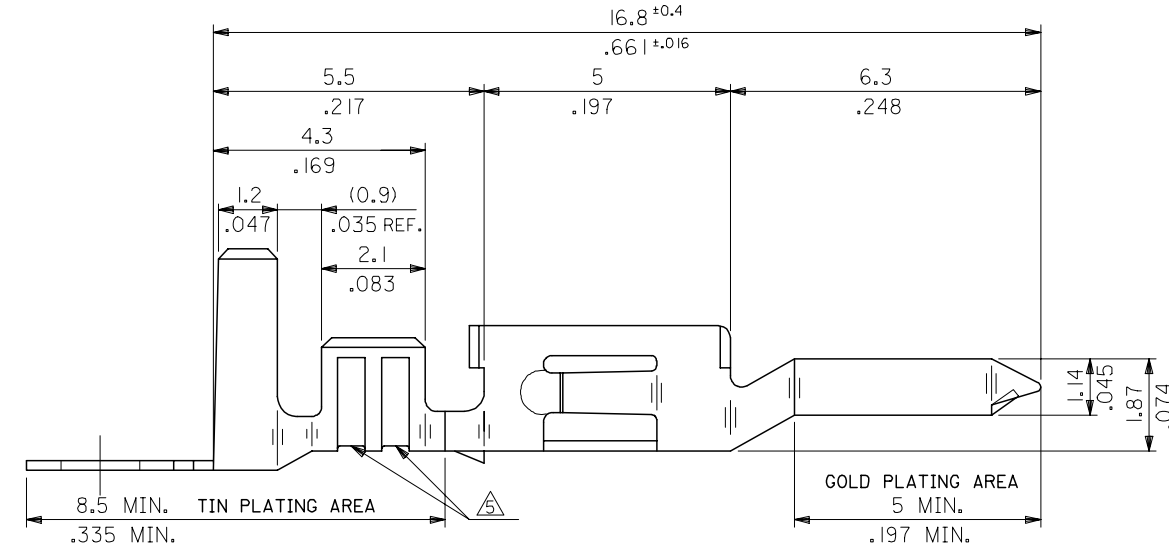
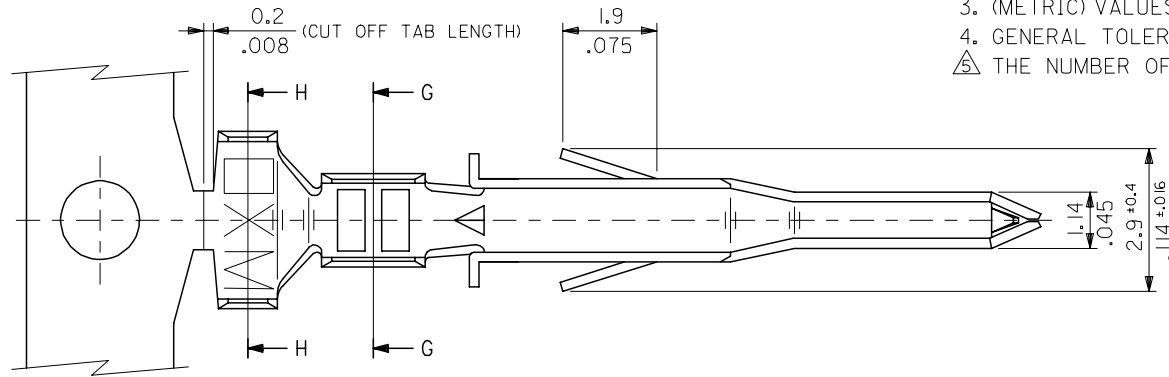


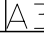
部分金メッキ : 0.76 μm MIN.	0.6	2.3	2.3	0.4	1.65	1.8	∅ 0.9-1.8	#22-28	39-00-0433	5558 GS2L7F	バラ状
部分錫メッキ : 2 μm MIN.									↑ -0432	↑ GS27F	連鎖状
ニッケルメッキ (下地) : 1.27 μm MIN.	0.9	4.5	3.6	0.5	2.3	1.9	∅ 1.3-3.1	#18-24	↓ -0431	↓ GSL7F	バラ状
									39-00-0430	5558 GS7F	連鎖状
メッキ	F	E	D	C	B	A	被覆外径	適用電線	EDP NO.	ENG. NO.	端子形状

材料 MATERIAL 黄銅 (t=0.203) BRASS	仕上げ FINISH 表参照 SEE CHART	適用電線範囲 WIRE RANGE 表参照 SEE CHART	被覆外径 INS. RANGE 表参照 SEE CHART	REVISED EC NO: J2005-2285 DRWN: NABE 2005/07/06 CHKD: KTOJO 2005/07/06 APPR: NUKITA 2005/07/12	DESCRIPTION A	GENERAL TOLERANCES (UNLESS SPECIFIED)	DIMENSION STYLE MM ONLY	SCALE 10:1	DESIGN UNITS METRIC	MODEL NO. 5558GS****	TITLE NEW MINI. FIT CONN. CRIMP PIN -LEAD FREE-	SHEET NO. 1 OF 1					
10 UNDER	±0.2	10 OVER 30 UNDER	±0.25	30 OVER	±0.3	ANGULAR	±3 °	DRAFT WHERE APPLICABLE MUST REMAIN WITHIN DIMENSIONS		SEE CHART	SD-5558-001						
DRAWN BY Y. SAKIYAMA		DATE '04/04/08		CHECKED BY M. SASAO		DATE '04/04/08		APPROVED BY M. SASAO		DATE '04/04/08		MATERIAL NO. SEE CHART		DOCUMENT NO. SD-5558-001		THIS DRAWING CONTAINS INFORMATION THAT IS PROPRIETARY TO MOLEX INCORPORATED AND SHOULD NOT BE USED WITHOUT WRITTEN PERMISSION	

10 9 8 7 6 5 4 3 2 1

- NOTES
1. APPLICABLE HOUSING : 5559 SERIES
 2. MATES WITH TERMINAL : 5556 SERIES
 3. (METRIC) VALUES SHOWN GOVERN OVER ENGLISH CONVERSION VALUES.
 4. GENERAL TOLERANCES OF ENGLISH CONVERSION VALUES : $\pm .008$ INCH
-  THE NUMBER OF SERRATIONS TO BE ONE FOR WIRE RANGE #22-28.



REVISED EC NO: J2005-2285 DRWN: NABEI 2005/07/06 CHKD: KTOJO 2005/07/06 APPR: NUKITA 2005/07/12	GENERAL TOLERANCES (UNLESS SPECIFIED)		DIMENSION STYLE	SCALE	DESIGN UNITS	THIRD ANGLE PROJECTION		
			MM ONLY	10:1	METRIC			
	10 UNDER	± 0.2	DRAWN BY	TITLE				
	10 OVER 30 UNDER	± 0.25	H.HIRAMOTO '91/03/13	NEW MINI FIT CONN CRIMP PIN -LEAD FREE-				
	30 OVER	± 0.3	M.FUKUSHIMA '92/05/21	MOLEX INCORPORATED				
ANGULAR	$\pm 3^\circ$	M.ENOMOTA '92/05/21	MATERIAL NO.	DOCUMENT NO.	SHEET NO.			
DRAFT WHERE APPLICABLE MUST REMAIN WITHIN DIMENSIONS		SEE CHART	SD-5558-002		1 OF 2			
SIZE  THIS DRAWING CONTAINS INFORMATION THAT IS PROPRIETARY TO MOLEX INCORPORATED AND SHOULD NOT BE USED WITHOUT WRITTEN PERMISSION								

10 9 8 7 6 5 4 3 2 1

F

E

D

C

B

A

F

E

D

C

B

A

PHOSPHOR BRONZE	SELECTIVE GOLD 0.76µm /30m.i. MIN. AND SELECTIVE TIN 2.03µm /80m.i. MIN. OVER NICKEL 1.27µm /50m.i. MIN.	0.9	4.5	3.6	0.6	2.7	2.3	∅ 3.1	# 16	39-00-0224	5558 PBGS3L	LOOSE			
		.035	.177	.142	.024	.106	.091	.122	MAX.		↑ -0223	↑ PBGS3	CHAIN		
		0.6	2.3	2.3	0.4	1.65	1.8	∅ 0.9-1.8	#22-28		-0222	PBGS2L	LOOSE		
	SELECTIVE GOLD 1.27µm /50m.i. MIN. AND SELECTIVE TIN 2.54µm /100m.i. MIN. OVER NICKEL 1.27µm /50m.i. MIN.	SELECTIVE GOLD 0.38µm /15m.i. MIN. AND SELECTIVE TIN 2.03µm /80m.i. MIN. OVER NICKEL 1.27µm /50m.i. MIN.	.024	.091	.091	.016	.065	.071	∅ .035-.071	#18-24		-0221	PBGS2	CHAIN	
			0.9	4.5	3.6	0.5	2.3	1.9	∅ 1.3-3.1	#18-24		-0220	PBGS2L	LOOSE	
			.035	.177	.142	.020	.091	.075	.051-.122			-0219	PBGS	CHAIN	
	BRASS	SELECTIVE GOLD 0.76µm /30m.i. MIN. AND SELECTIVE TIN 2.03µm /80m.i. MIN. OVER NICKEL 1.27µm /50m.i. MIN.	0.9	4.5	3.6	0.6	2.7	2.3	∅ 3.1	# 16		-0148	GS9L	LOOSE	
			.035	.177	.142	.024	.106	.091	.122	MAX.		↓ -0147	GS9	CHAIN	
			0.6	2.3	2.3	0.4	1.65	1.8	∅ 0.9-1.8	#22-28		-0146	GS8L	LOOSE	
		SELECTIVE GOLD 0.38µm /15m.i. MIN. AND SELECTIVE TIN 2.03µm /80m.i. MIN. OVER NICKEL 1.27µm /50m.i. MIN.	SELECTIVE GOLD 0.76µm /30m.i. MIN. AND SELECTIVE TIN 2.03µm /80m.i. MIN. OVER NICKEL 1.27µm /50m.i. MIN.	.024	.091	.091	.016	.065	.071	∅ .035-.071	#18-24	39-00-0145	GS8	CHAIN	
				0.9	4.5	3.6	0.5	2.3	1.9	∅ 1.3-3.1	#18-24		40-13-0854	GS7L	LOOSE
				.035	.177	.142	.020	.091	.075	.051-.122			40-13-0853	GS7	CHAIN
SELECTIVE GOLD 0.76µm /30m.i. MIN. AND SELECTIVE TIN 2.03µm /80m.i. MIN. OVER NICKEL 1.27µm /50m.i. MIN.		SELECTIVE GOLD 0.38µm /15m.i. MIN. AND SELECTIVE TIN 2.03µm /80m.i. MIN. OVER NICKEL 1.27µm /50m.i. MIN.	0.9	4.5	3.6	0.6	2.7	2.3	∅ 3.1	# 16		39-00-0100	GS6L	LOOSE	
			.035	.177	.142	.024	.106	.091	.122	MAX.		↑ -0099	GS6	CHAIN	
			0.6	2.3	2.3	0.4	1.65	1.8	∅ 0.9-1.8	#22-28		-0098	GS5L	LOOSE	
SELECTIVE GOLD 0.76µm /30m.i. MIN. AND SELECTIVE TIN 2.03µm /80m.i. MIN. OVER NICKEL 1.27µm /50m.i. MIN.		SELECTIVE GOLD 0.38µm /15m.i. MIN. AND SELECTIVE TIN 2.03µm /80m.i. MIN. OVER NICKEL 1.27µm /50m.i. MIN.	.024	.091	.091	.016	.065	.071	∅ .035-.071	#18-24		-0097	GS5	CHAIN	
			0.9	4.5	3.6	0.5	2.3	1.9	∅ 1.3-3.1	#18-24		-0076	GS4L	LOOSE	
			.035	.177	.142	.020	.091	.075	.051-.122			-0075	GS4	CHAIN	
SELECTIVE GOLD 0.76µm /30m.i. MIN. AND SELECTIVE TIN 2.03µm /80m.i. MIN. OVER NICKEL 1.27µm /50m.i. MIN.	SELECTIVE GOLD 0.38µm /15m.i. MIN. AND SELECTIVE TIN 2.03µm /80m.i. MIN. OVER NICKEL 1.27µm /50m.i. MIN.	0.9	4.5	3.6	0.6	2.7	2.3	∅ 3.1	# 16		-0096	GS3L	LOOSE		
		.035	.177	.142	.024	.106	.091	.122	MAX.		↓ -0095	GS3	CHAIN		
		0.6	2.3	2.3	0.4	1.65	1.8	∅ 0.9-1.8	#22-28		-0433	GS2L7F	LOOSE		
SELECTIVE GOLD 0.76µm /30m.i. MIN. AND SELECTIVE TIN 2.03µm /80m.i. MIN. OVER NICKEL 1.27µm /50m.i. MIN.	SELECTIVE GOLD 0.38µm /15m.i. MIN. AND SELECTIVE TIN 2.03µm /80m.i. MIN. OVER NICKEL 1.27µm /50m.i. MIN.	.024	.091	.091	.016	.065	.071	∅ .035-.071	#18-24		-0432	GS27F	CHAIN		
		0.9	4.5	3.6	0.5	2.3	1.9	∅ 1.3-3.1	#18-24		↓ -0431	↓ GSL7F	LOOSE		
		.035	.177	.142	.020	.091	.075	.051-.122			39-00-0430	5558 GS7F	CHAIN		
MATERIAL	FINISH	F	E	D	C	B	A	INS. RANGE	WIRE RANGE	EDP NO.	ENG NO.	FORM			

REVISED EC NO: J2005-2285 DRWN: NABEI 2005/07/06 CHKD: KTOJO 2005/07/06 APPR: NUKITA 2005/07/12	GENERAL TOLERANCES (UNLESS SPECIFIED)		DIMENSION STYLE MM ONLY		SCALE 10:1	DESIGN UNITS METRIC	THIRD ANGLE PROJECTION	
	10 UNDER	± 0.2	DRAWN BY H. HIRAMOTO	DATE '91/03/13	TITLE NEW MINI FIT CONN CRIMP PIN -LEAD FREE- MOLEX INCORPORATED			
	10 OVER 30 UNDER	± 0.25	CHECKED BY M. FUKUSHIMA	DATE '92/05/21				
	30 OVER	± 0.3	APPROVED BY M. ENOMOTO	DATE '92/05/21	DOCUMENT NO. SD-5558-002		SHEET NO. 2 OF 2	
ANGULAR	± 3 °	MATERIAL NO. SEE CAHRT						
DRAFT WHERE APPLICABLE MUST REMAIN WITHIN DIMENSIONS			SIZE A3	THIS DRAWING CONTAINS INFORMATION THAT IS PROPRIETARY TO MOLEX INCORPORATED AND SHOULD NOT BE USED WITHOUT WRITTEN PERMISSION				